



CROVEN CRYSTALS has provided high quality and reliability products to the frequency control industry for more than fifty years and is a world leader in the development and manufacture of the highest precision quartz resonators for demanding applications.

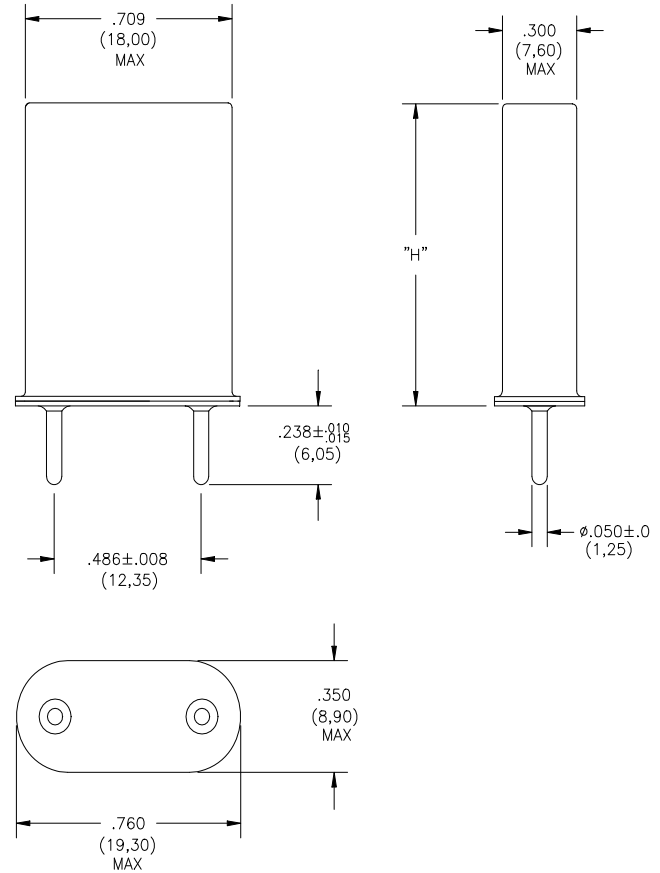
The HC-36 series of crystal resonators provides a broad range of frequencies and designs in a rugged, high reliability enclosure.

Features:

- cold weld sealed for **low aging** and **low phase noise** applications
- available in AT, SC and IT-cut designs
- RoHS compatible (if required)

Applications:

- precision OCXO, VCXO and TCXO oscillators
- military and high reliability (multiple CR references)



| PARAMETER | Height 'H' | Mode | MINIMUM | MAXIMUM | UNITS |
|--|-------------------|--------|---------|---------|-------|
| Resonant Frequency range @ specified load conditions and temperature | 0.775" (19,69 mm) | Fund | 1.6 | 35 | MHz |
| | | 3rd OT | 4 | 105 | |
| | | 5th OT | 10 | 165 | |
| | | 7th OT | 80 | 230 | |
| Operating Temperature Range | | | - 55 | + 125 | ° C |

| PARAMETER | STANDARD METHOD OBSERVED |
|---------------|--|
| Shock | MIL-STD-202 Method 213, Condition C - 100 g, 6 msec 1/2 sine |
| Vibration | MIL-STD-202 Method 204, Condition C, 10 g peak 55-2000 Hz |
| Solderability | MIL-STD-202 Method 208 |
| Workmanship | per the general requirements of MIL-PRF-3098 |

Notes:

- 1) Consult the factory for more detailed specifications or alternate requirements.